

Technical data sheet

Barrier strip 60 DD

Item number: 6062327



Barrier strip for separation of cables of different voltages or functions.



St Steel

DD Strip galvanised zinc/aluminium, Double Dip

Master data

Item number	6062327
Type	TSG 60 DD
Description 1	Barrier strip
Description 2	for cable support systems
Manufacturer	OBO
Dimension	60x2995
Material	Steel
Surface	Strip galvanised zinc/aluminium, Double Dip
Surface standard	DIN EN 10346
Smallest sales unit	3
Unit of quantity	Metre
Weight	55.7 kg
Weight unit	kg/100 m

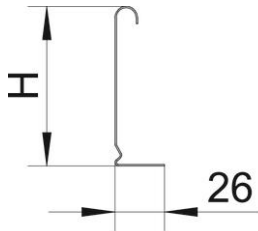
Technical data sheet

Barrier strip 60 DD

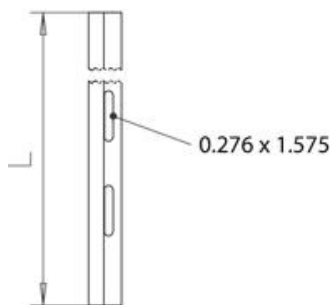
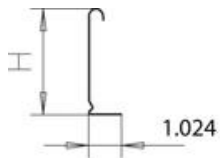
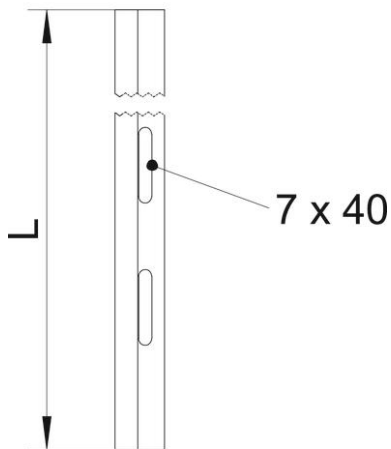
Item number: 6062327



Dimensions



Length	3,000 mm
Length	10 ft
Height	60 mm
Height	2 in
Plate thickness	0.75 mm
Dimension H (Inch)	2 in
Dimension H	60 mm
Dimension L (Feet)	10 ft
Dimension L (mm)	3,000 mm



Technical data sheet

Barrier strip 60 DD

Item number: 6062327



Technical data

Version for	L profile
Fastening type	Screw-on
Fastening perforation (ETIM)	no
Maintain electrical functions	no
Suitable for mesh cable tray	yes
Suitable for cable ladder	yes
Suitable for cable tray	yes
Rustproof steel, pickled	no